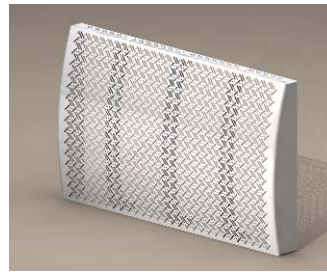


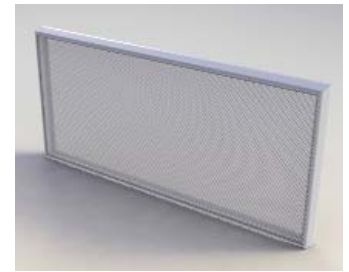
Fascia Grilles

Gilberts manufacture a wide variety of fascia grilles and diffusers for floor wall or ceiling mounting. With a wide range of both standard and bespoke tested designs we can provide grille design solutions to meet the requirements of the most demanding projects. Decoratively designed punched steel panels can be used on internal faces of low level wall units and these can be fitted with insulation to maintain a low surface temperature where required. As standard we offer the routed face panel (flat or curved), a fixed blade linear bar grille with blades angled at 0, 15 or 40 degrees and an eggcrate pattern.

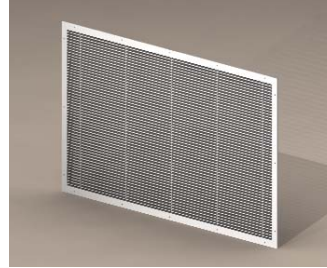
All grilles are manufactured from aluminium or steel and can be finished in a durable polyester powder finish to any BS/RAL colour.



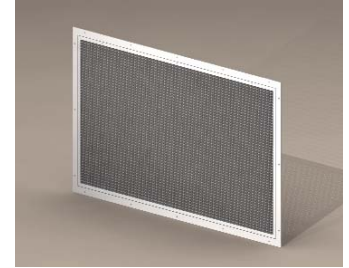
Type VN/RP-1



Type VN/RP-3



Type VN/KO

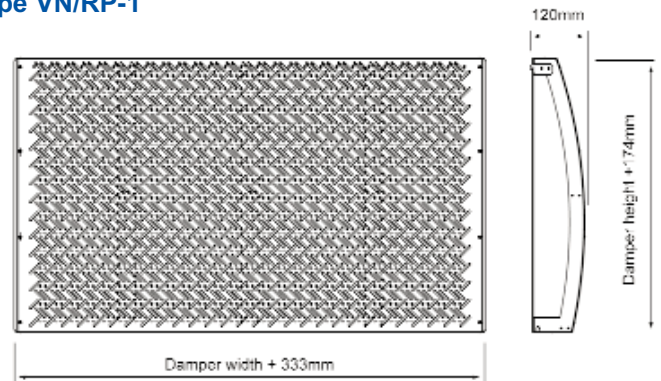


Type VN/GE

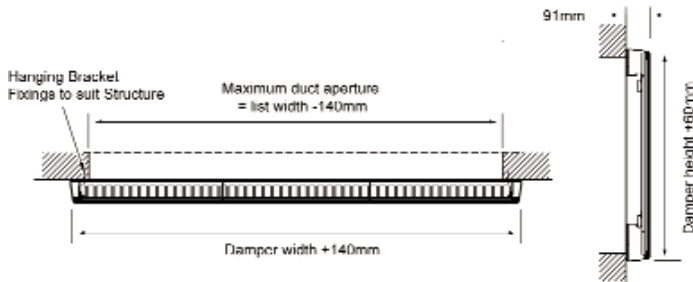
Type References

VN/RP-1	Curved Routed Panel	(Model A)
VN/RP-2	Flat Routed Panel	(Models B, C, D & F)
VN/RP-3	Perforated Face Panel	(Models B, C, D & F)
VN/KO	Bar Grille	(Models B, C, D & F)
VN/K15	Bar Grille	(Models B, C, D & F)
VN/K40	Bar Grille	(Models B, C, D & F)
VN/SKO	Bar Grille	(Models B, C, D & F)
VN/GE	Eggcrate Core Type	(Models B, C, D & F)

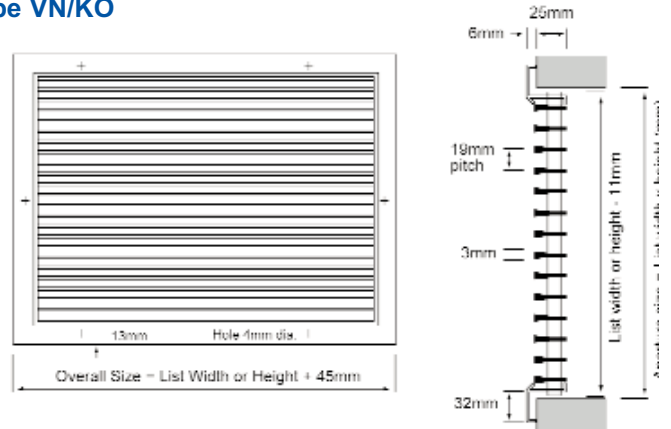
Type VN/RP-1



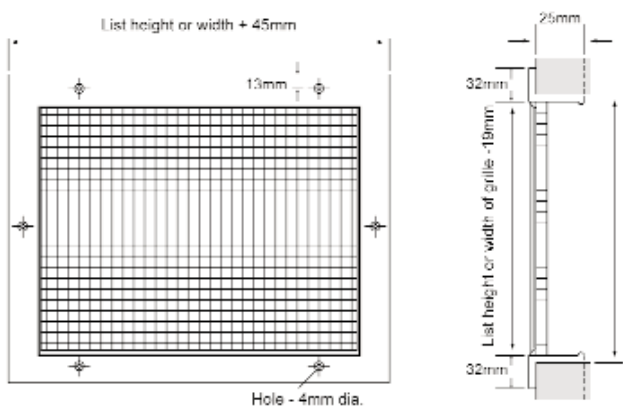
Type VN/RP-3



Type VN/KO



Type VN/GE



Type VN/SK

