

AIRGARD

Volume Control Dampers

PUBLICATION

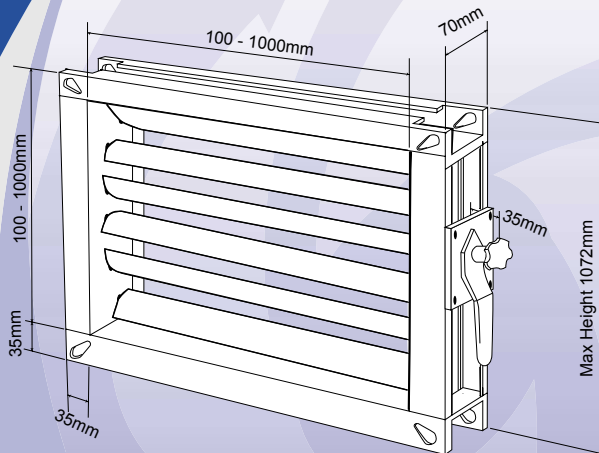
DAMPERS 3

AUGUST 2002

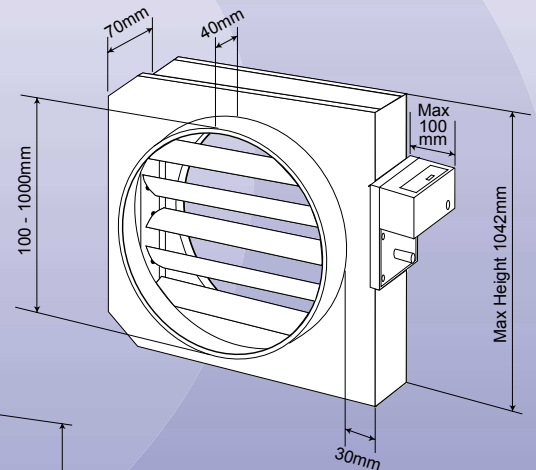
Airgard Mode A

Gilberts 'A' Range of aluminium dampers have been specifically designed to provide positive control within ducted air systems. Available with both spigotted and flanged connections, they are compatible with square, rectangular, circular and flat oval ductwork.

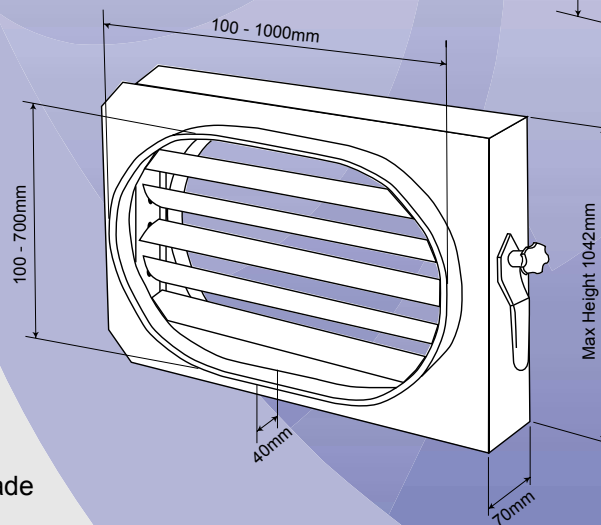
FLANGED



CIRCULAR SPIGOT



FLAT OVAL SPIGOT



Features

- Unique Patented Blade link Mechanism
- Aerofoil Blade Section
- 35mm Flanges with Tapered Corner Holes to suit most accessories.
- Blade Position Indicator.
- Precision Extruded Frame and blade Sections.
- Various Control Modes.

Control Options

- Manual.
- Extended Spindle (75mm x 9.52mm dia.).
- Belimo 24v DC/24v AC, 240v AC Motor Drive available in ON/OFF, Spring Return and Modulating Modes.
- Pneumatic Actuator.



GILBERTS



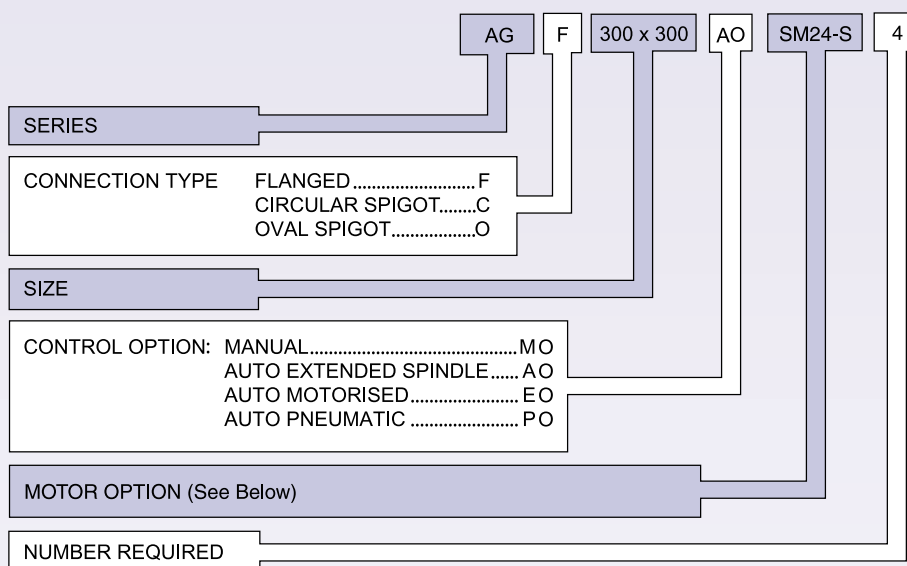
AIRGARD

Size Range

- Flanged Connections.Ref. F
Units supplied with 35mm Flange connections with 30mm elongated slots in each corner to suit Ductmate, Mez and Doby profiles.
Size Range: 100 -1000mm wide 100 -1000 high in 50mm increments
- Circular spigot ConnectionsRef. C
Units supplied with 40mm deep circular spigot.
Size Range: 100 -1000mm dia
- Flat Oval Spigot ConnectionsRef. O
Units supplied with 40mm deep flat oval spigot.
Size Range 200 - 1000mm wide 100 - 700mm high

NOTE: Also available on request: ● Intermediate Sizes ● Multiple Units
● Epoxy Paint Finish to BS/RAL Colour ● Anodised Finish

Ordering Specification



Motor Options

Open/Close: 24v DC = SM24 or 240V AC = SM240
Spring Return: 24v DC = AF24 or 240v AC = AF220
(for end position switches on the above add -s suffix)
Modulating Spring Return: 24vAC = AF24-SR
Modulating Open/Close: 24v AC = SM24-SR

Engineering Specification

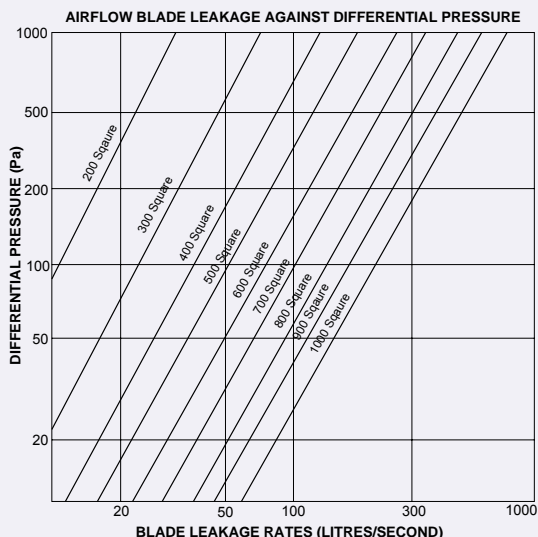
All extruded aluminium frame with extruded aluminium aerofoil blades, all to BS 1470 -1474. Blades operated through patented rack and pinion mechanism. Special spigotted cast gears in zinc based alloy to BS 1004A, run in sealed nylon bearings.

Casing Leakage

Conforms to DW142 Class A and B. Units available to meet Class C on request.

Air Flow Data

This graph illustrates the maximum leakage obtainable when the damper is in a fully closed position. It relates the static differential pressure imposed upon the unit to the leakage of air in litres/second.



Contact

GILBERTS
Head Office and Works
GILBERTS (BLACKPOOL) LTD
Gilair Works, Clifton Road,
Blackpool.
Lancashire FY4 4QT.
Telephone: (01253) 766911
Fax: (01253) 767941
e-mail: sales@gilbertsblackpool.com
Web: www.gilbertsblackpool.com

