

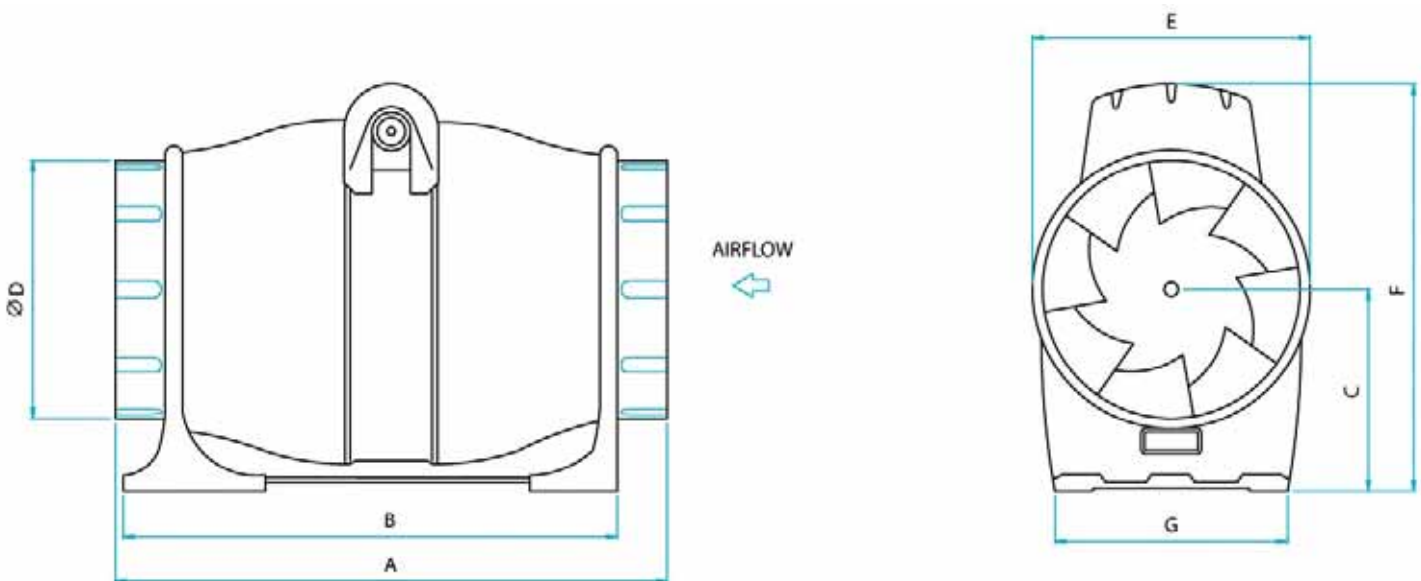


## Multiflow SMT Installation and Maintenance Instructions

**THESE INSTRUCTIONS MUST BE READ FULLY BEFORE  
COMMENCING INSTALLATION**

Code	Supply	FL Amps	Input Watts	r/min
SMT100/T	230V/1Ph/50Hz	0.18/0.10	30/18	2300/1700
SMT125/T	230V/1Ph/50Hz	0.18/0.10	30/18	2300/1700
SMT150/T	230V/1Ph/50Hz	0.36/0.27	80/60	2700/2000
SMT200/T	230V/1Ph/50Hz	0.34/0.24	85/55	2700/2000

Code	A	B	C	D	E	F	G	Weight kg
SMT100	315	235	115	98	180	232	130	3
SMT125	280	235	115	122	180	232	130	3
SMT150	294	265	115	147	192	240	130	3
SMT200	354	265	140	197	230	280	142	4



## 1.0 GENERAL

- 1.1 It is important these Installation and Maintenance Instructions are fully adhered to.
- 1.2 Full details of the unit supplied are shown on the product nameplate. If in doubt about any detail contact Elta Fans Ltd or its agents for clarification.
- 1.3 All electrical installation must be carried out by suitably qualified and competent personnel in accordance with all current statutory requirements.
- 1.4 These instructions cover only the Elta Fans Ltd product and do not include the supply or installation of any safety equipment that may be required e.g. adequate guarding or protection from rotating parts and proper electrical isolation.
- 1.5 Any declarations made by Elta Fans Ltd about product installation and safety, are dependant on the fan equipment being used within installations which themselves meet the requirements of the relevant Standards and Directives of your region.
- 1.6 The fan is designed for use in an ambient temperature of -20°C up to +60°C and up to 95% relative humidity. The fan is not suitable for corrosive or explosive atmospheres.
- 1.7 The installer should provide easy access to the fan to facilitate future maintenance.
- 1.8 The installer should ensure the fan is adequately supported.
- 1.9 This product is not intended for use by persons (including children) with reduced physical, sensory or mental capabilities, or lack of experience and knowledge, unless they have been given supervision or instruction concerning use of the product by a person responsible for their safety. Children should be supervised to ensure that they do not play with the product.

## 2.0 INSTALLATION

**WARNING – The fan must be isolated from the power supply during installation and maintenance. The fan must be earthed in accordance with the local regulations.**

- 2.1 Upon receipt, the fan equipment should be visually inspected to check for any damage. Ensure that the impeller is free to rotate.
- 2.2 If there are any queries concerning the fan equipment, Elta Fans Ltd should be contacted prior to the installation.
- 2.3 The fan must be securely mounted in the desired position to suit the application. A minimum of 1 metre of duct is to be fitted to the fan inlet and discharge spigots.
- 2.4 To install the fan:-
  - Remove the fan body from the spigots that are attached to the base by releasing the two retaining clamps.
  - Mount the base in the desired position using the fasteners supplied.
  - Replace the fan body in-between the spigots and tighten the two retaining clamps.
- 2.5 Check the details on the motor rating plate to ensure that the correct power supply (voltage, frequency and phase) is available.

An incorrect power supply will lead to permanent damage to the fan motor.
- 2.6 Refer to the appropriate wiring diagram. Ensure that all earth connections are made.
- 2.7 Means for electrical disconnection must be incorporated in the wiring installation in accordance with the relevant wiring and electrical regulations.
- 2.8 Precaution must be taken to locate the exhaust discharge terminal so as to avoid the backflow of gases into the room from the open flue of gas or other fuel burning appliances.
- 2.9 Fans with run-on timers have settings adjustable between 5-25 minutes.

## 3.0 START-UP

- 3.1 Before power is supplied to the unit, check that the wiring is correct as per the fan connection diagram.
- 3.2 At initial start-up, check that impeller rotation and airflow direction is correct.
- 3.3 Check that the motor amperage draw does not exceed the nameplate rating.

## 4.0 FAN MAINTENANCE

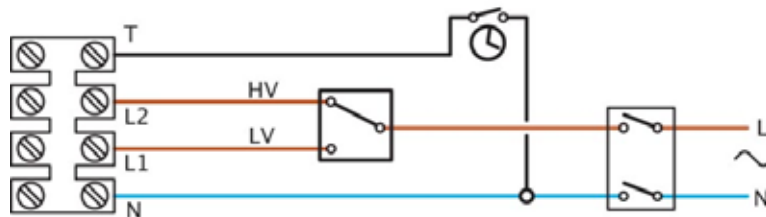
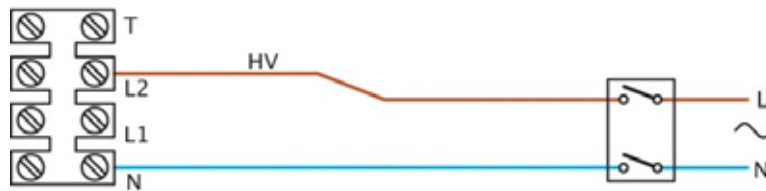
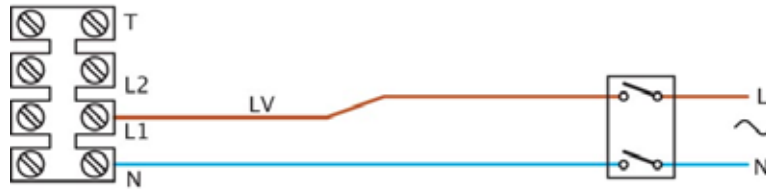
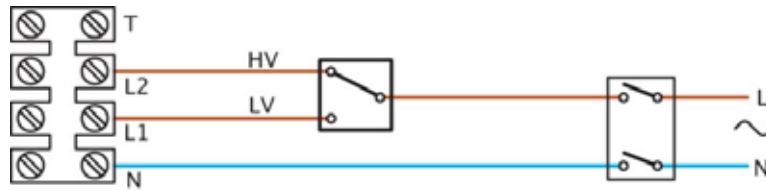
- 4.1 Inspection of the fan at least once every 12 months is recommended to ensure that the motor, fan blades, and supporting guards, are clean. Any build up of dust and deposits on the blades or guards should be removed using a non-abrasive cleaner.
- 4.2 All fastenings should be checked for tightness. In addition, all rotating items should be checked.
- 4.3 Bearings are of the 'sealed for life' type and will not need a detailed inspection.

**WARNING – This fan is fitted with a non self-resetting thermal cut-out which switches the fan off in the event of a fault condition.**

**To reset, turn the power off for one minute, then back on.**

**Only a suitably qualified and competent person may carry out maintenance after the electrical supply has been isolated.**

**WIRING**



**GUARANTEE**

**Elta Fans Ltd will, free of charge, within a period of 1 year from the date of despatch from their works, repair or at its option replace any goods which are proved to have defects as a result of defective materials or workmanship. The goods MUST be returned to Elta Fans Ltd carriage paid for examination.**

**Elta Fans Ltd**

17 Barnes Wallis Road  
 Segensworth East Industrial Estate  
 Fareham, Hampshire, PO15 5ST, United Kingdom

**Visit:** eltafans.com

**e-mail:** mailbox@eltafans.co.uk

**Applied Technology: Tel:** +44(0) 1489 566500

**Fax:** +44(0) 1489 566555

**Building Services: Tel:** +44(0) 1384 275800

**Fax:** +44(0) 1384 275810

**Export: Tel:** +44(0) 1489 566500

**Fax:** +44(0) 1489 566555