

MINIFLOW
SMF



Roof Mounted **Ventilation**

features & benefits



Miniflow SMF

The Miniflow SMF range is an axial powered roof extract unit specifically developed to meet the airflow requirements of small to medium sized applications.

- 3 standard sizes, 130mm to 300mm.
- Air Volume flow rates of up to 0.59 m³/s.
- Static Pressures of up to 200 Pa.
- Can be mounted at angles up to 30°.
- Motors are IP44 with Class B insulation.
- Supply air units can be supplied.
- Unit can be supplied as cowl only.
- Motors and impeller balanced to quality class G6.3.
- Steel components have a corrosion resistant finish.
- Cowls are of UV-Stabilised plastic.
- Motors are squirrel cage induction type.
- Suitable for operating temperatures of up to 50° C.

Features & Benefits

Material strength – SMF cowls are manufactured from UV-Stabilised plastic with built in terminal box, providing durability and strength, with all steel components, including fan, fan housing and brackets in a corrosion resistant finish.

Motor protection – The SMF132 is impedance protected. All other models SMF202 – SMF306 have integral thermal overload protection which prevents the motor from overheating.

Performance – All SMF axial fans are powered by an external rotor motor.

Speed controllable – Each fan is fully speed controllable with an electronic controller, which means airflow can be altered to suit site conditions.

Ease of installation – Lightweight design of the SAMF ensures a swift, easy to install product, whilst spigot inlet & outlet connections allow ease of installation for ductwork system fitting. A pre-wired terminal box is also fitted which is external to the casing.

Flexibility – The SAMF can be used where there are long duct runs to boost extraction.

Mounting arrangement – Designed for roof mounting, SMF units can be mounted on roof slopes of up to 30°.

Full ancillary range – Speed controllers, backdraught shutters and cowl.

Tested to the very latest standards – SMF units are tested to ISO 5801:1997 (airside performance) and to BS 848 Pt 2:1985 (sound performance) at Elta Fans own test facility, meaning accurate, up to date information on performance and noise data that can be relied upon.

Quality assurance – All units are designed and manufactured with procedures as defined in BS EN ISO 9001: 2000.

Reliability – Motors have sealed for life bearings.

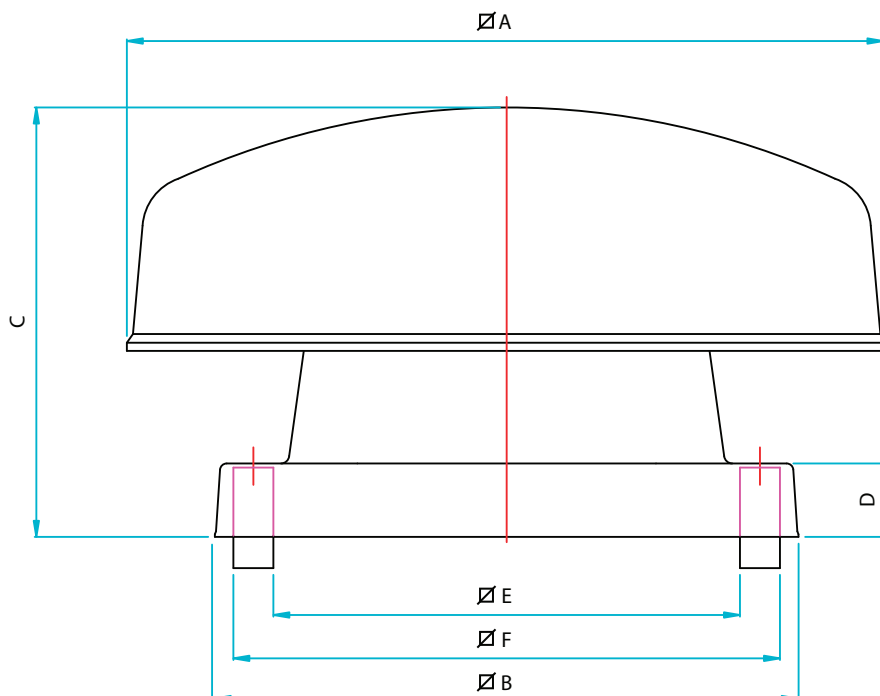
Warranty – Each SMF has a one year warranty.

Applications

Changing rooms, toilets, bathrooms and shower rooms.

dimensional data

Miniflow SMF



Product Code	Cowl Only	A	B	C	D	E	F	Weight kg
SMF132E	SMF13	310	276	200	30	200	250	1.9
SMF204E	SMF20/30	570	430	350	60	350	410	4.5
SMF202E								4.6
SMF254E								6.1
SMF252E								5.9
SMF306E								6.5
SMF304E								6.5
SMF302E								6.9

N.B. Weights include miniflow roof unit and fan.

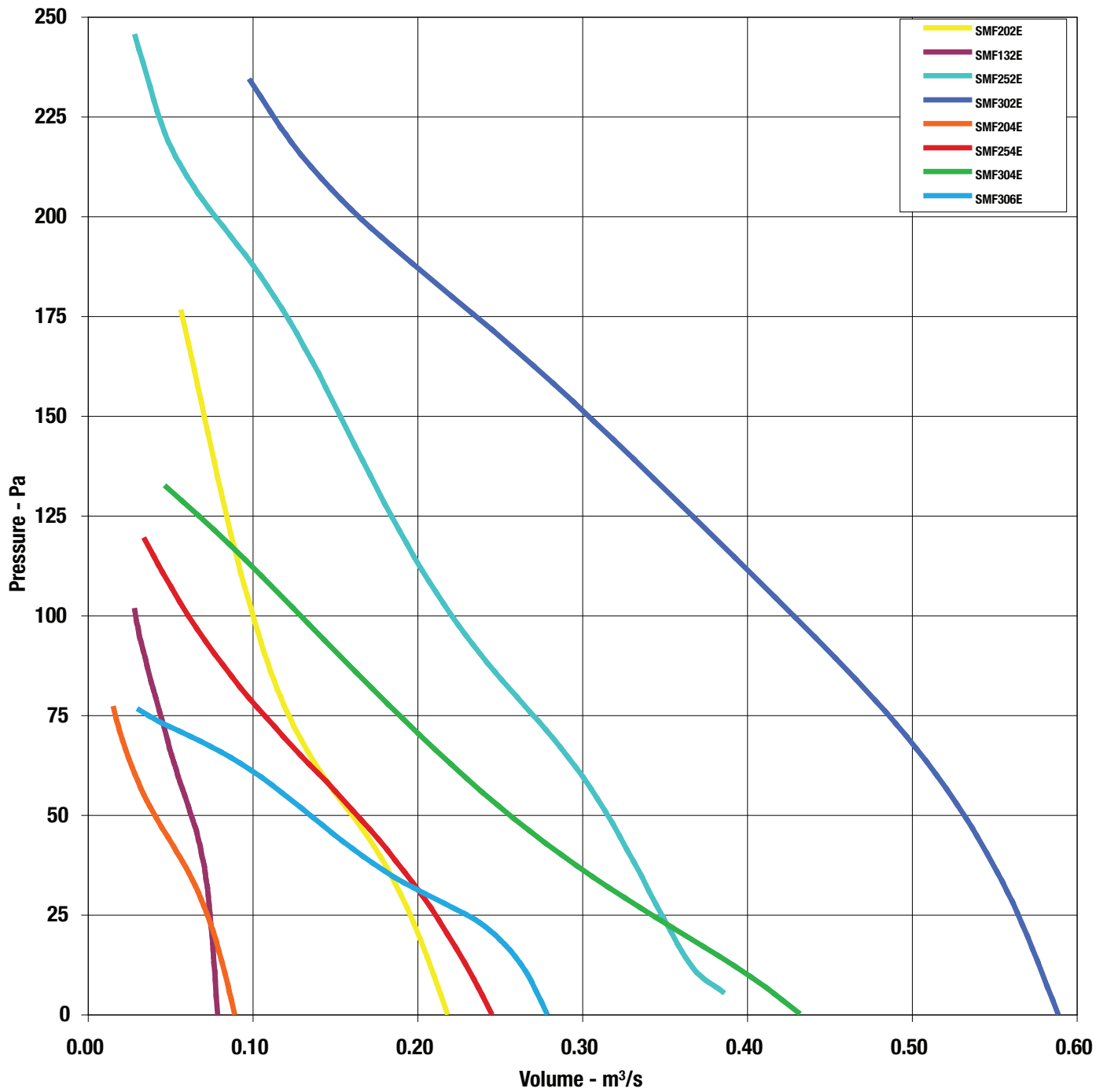
performance & electrical data

SMF range

Product Code	Max Speed r/min	Airflow m ³ /s @ Static Pressure Pa									FLC Amps	Power dBA		
		0	25	50	75	100	125	150	175	200		Watts	@ 3m	
SMF132E 2760	0.08	0.08	0.06	0.05	0.03						0.25	40	EL31	42
SMF204E 1440	0.09	0.07	0.04	0.02							0.13	30	EL31	37
SMF202E 2580	0.22	0.20	0.16	0.12	0.10	0.09	0.07	0.06			0.35	70	EL31	52
SMF254E 1380	0.25	0.21	0.16	0.11	0.06						0.29	58	EL31	42
SMF252E 2520	0.39	0.35	0.31	0.27	0.22	0.19	0.15	0.12	0.08	0.54	118	EL31	50	
SMF306E 960	0.28	0.23	0.13	0.04							0.23	45	EL31	38
SMF304E 1320	0.43	0.34	0.26	0.19	0.13	0.07					0.45	50	EL31	43
SMF302E 2460	0.59	0.57	0.53	0.49	0.43	0.37	0.30	0.24	0.16	0.71	160	EL31	55	

Sound levels are average spherical free field values at 50% peak pressure for comparative purposes only.

Miniflow SMF



Miniflow SMF

Product Code	63Hz	125Hz	250Hz	500Hz	1kHz	2kHz	4kHz	8kHz	dBA @ 3m
SMF132E	51	51	59	55	57	58	56	-	42
SMF202E	67	69	73	71	66	65	59	-	52
SMF252E	66	72	73	69	65	63	58	-	50
SMF302E	67	74	74	74	70	67	64	-	55
SMF204E	53	65	59	57	52	47	39	-	37
SMF254E	62	67	67	60	56	52	45	-	42
SMF304E	66	67	67	63	58	54	49	-	43
SMF306E	58	64	64	54	47	53	39	-	38

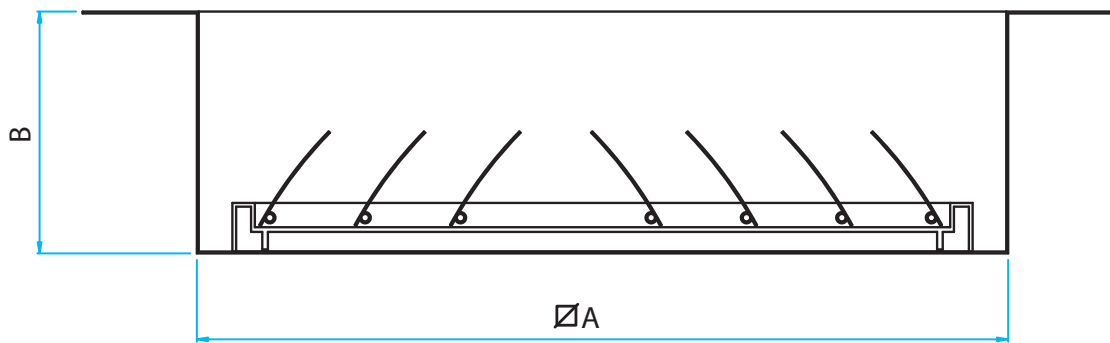
accessories



backdraught shutter

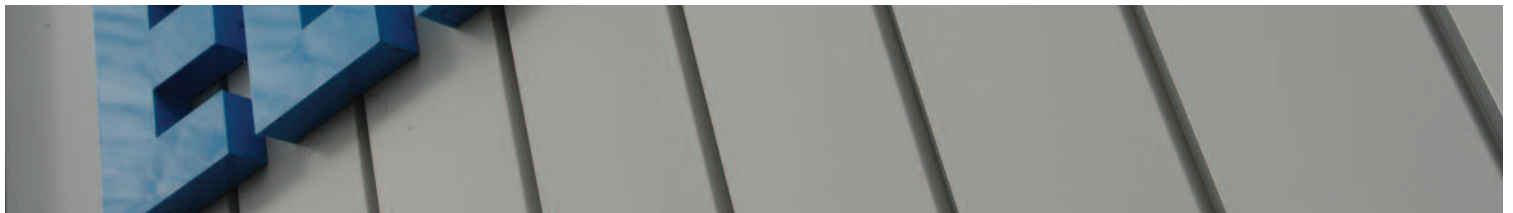


- Prevents backdraught and reduces heat loss from building
- Polypropylene shutter in pre-galvanised steel frame



Unit Size	Product Code	A	B	Weight kg
SMF20/30	SKCBD-B	300	65	3.0

For SMF13 contact Elta Fans



Elta Fans Ltd - Applied Technology

17 Barnes Wallis Road,
Segensworth East Industrial Estate,
Fareham, Hampshire, P015 5ST, United Kingdom.

Visit: eltafans.com

e-mail: mailbox@eltafans.co.uk

Applied Technology:

Tel: +44 (0) 1489 566500

Fax: +44 (0) 1489 566555

Building Services:

Tel: +44 (0) 1384 275800

Fax: +44 (0) 1384 275810

Export:

Tel: +44 (0) 1489 566500

Fax: +44 (0) 1489 566555