

JET Flow



In-line **Centrifugal Fans**

features & benefits



Jetflow SJ



The Jetflow SJ range of all metal in-line centrifugal fans are designed to provide the ideal solution for high performance requirements in medium pressure systems. Ideally suited to a wide range of residential, commercial and industrial extract or supply applications, Jetflow boasts one of the most extensive range of fans on the market to meet system requirements.

- 8 standard sizes from 100mm to 355mm.
- Air volume flow rates of up to 0.66 m³/s.
- Static pressures of up to 800 Pa.
- Motors are external rotor, protected to IP44 with Class B Insulation.
- Single inlet backward curved impellers.
- Suitable for ambient operating temperatures of up to 50° C.
- Easy to install.
- Fans can be mounted at any angle.
- Mounting brackets included.
- Fully speed controllable.
- IP54 rated terminal box.
- Robust steel casing finished in epoxy paint.
- Lower noise

Features & Benefits

Range – An extensive range of fans from 100mm to 355mm diameter, which means much greater performance choices.

Material strength – Each unit has a heavy gauge steel housing, which is durable and long lasting with a corrosion resistant epoxy paint finish.

Motor protection – All SJ units have integral thermal overload protection which prevents the motor from overheating.

Design appeal – The compact design means the SMT is ideal where space is at a premium such as ceiling voids and refurbishment projects.

Ease of installation – All models are designed for direct connection to standard diameter flexible or rigid circular ducting with 25mm minimum length spigots for ease of connection.

Quality impellers – A high efficiency, single inlet, single width backward curved centrifugal impeller which is designed to be non overloading and self cleaning.

Options – Can be supplied with heater batteries to provide warm air space or dust filters for a dust free airflow into a room.

Ease of wiring – Connections are made via an IP54 rated terminal box which is fitted onto the outside of the unit casing.

Full ancillary range – Speed controllers, fast clamps, silencers, panel filters, electric heater batteries and flexible connectors.

Tested to the very latest standards – SMF units are tested to ISO 5801:1997 (airside performance) and to BS 848 Pt 2:1985 (sound performance) at Elta Fans own test facility, meaning accurate, up to date information on performance and noise data that can be relied upon.

Quality assurance – All units are designed and manufactured with procedures as defined in BS EN ISO 9001: 2000.

Reliability – Motors have sealed for life bearings.

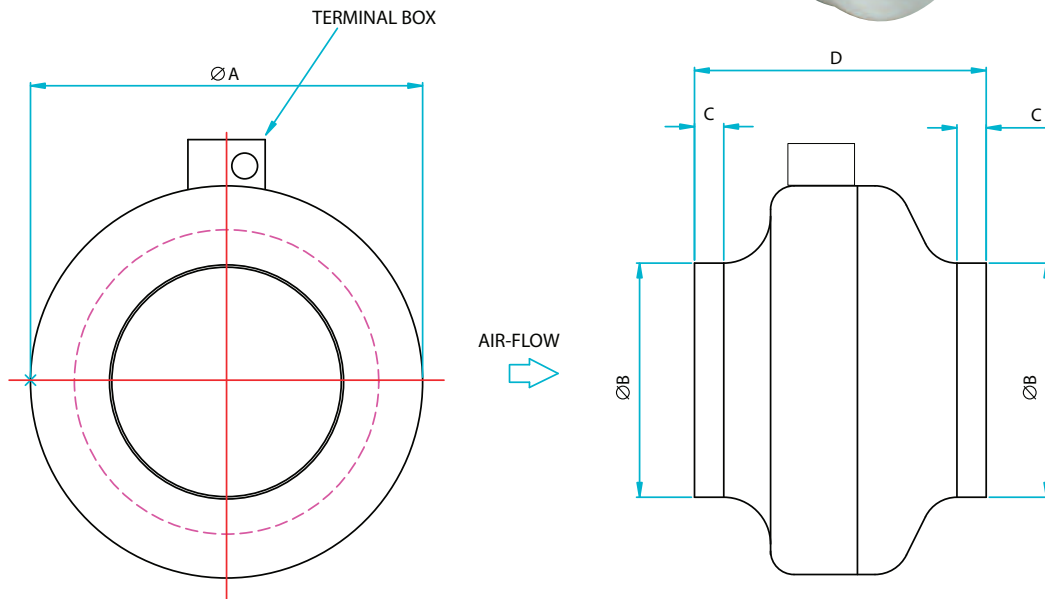
Warranty – Each Jetflow SJ has a one year warranty.

Applications

Jetflow can be used for a wide variety of applications including showers, cafeterias, toilets, entrance halls and many light commercial applications.

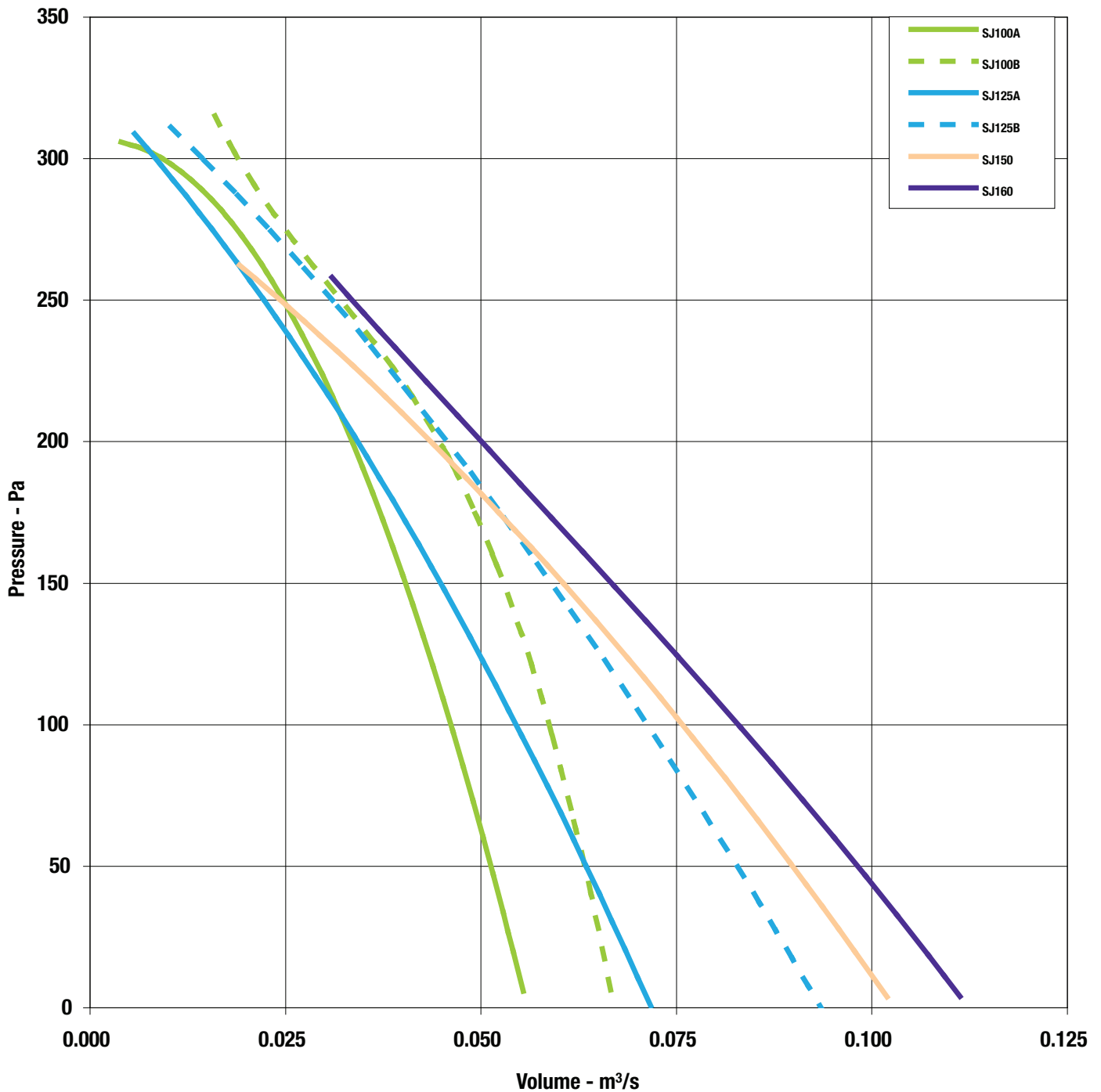
dimensional data

Jetflow SJ

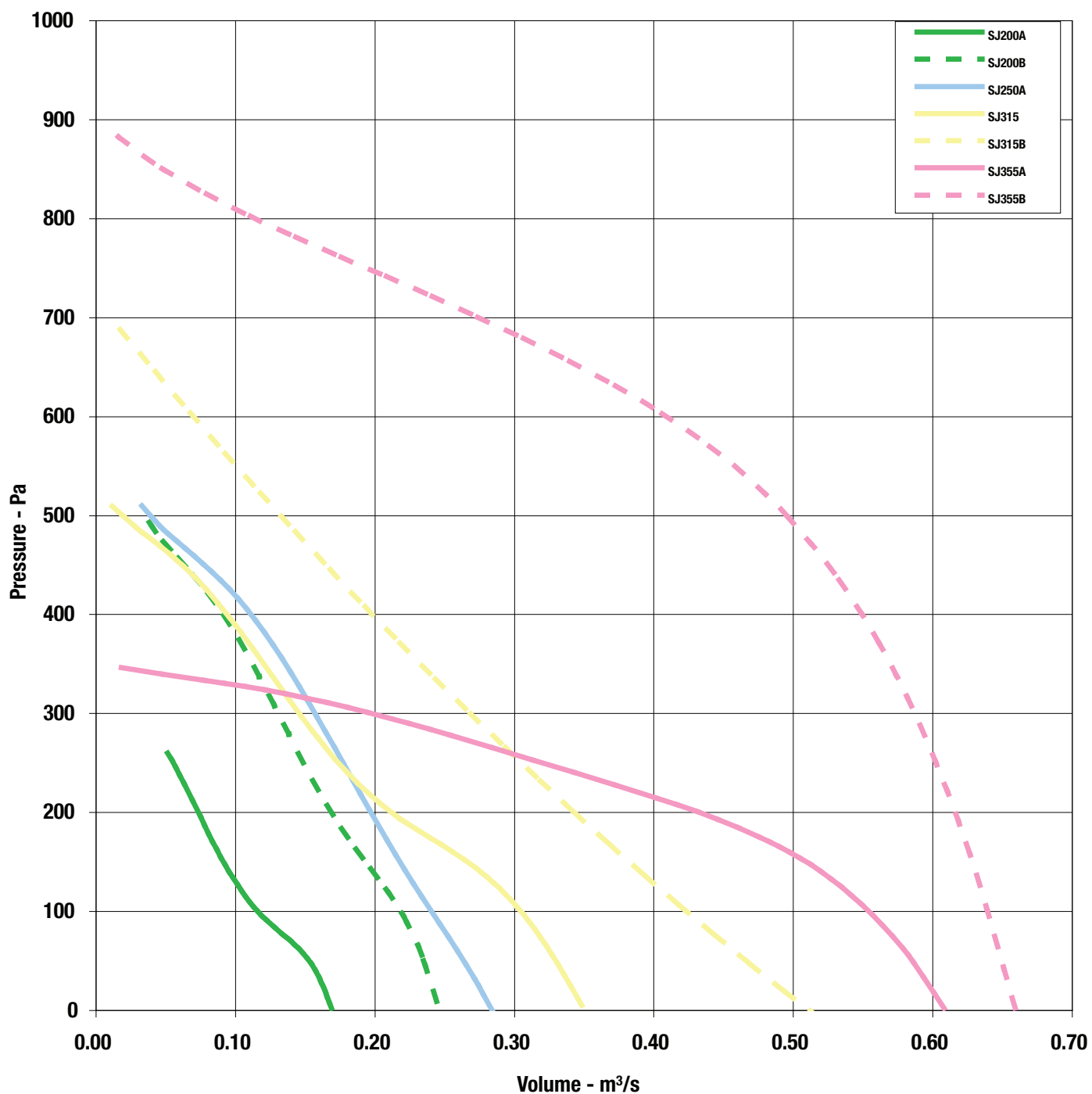


Product Code	A	B	C	E	Weight kg
SJ100A	241	98	25	210	3.0
SJ100B					
SJ125A	241	123	25	210	3.5
SJ125B					
SJ150	241	148	25	210	3.5
SJ160	241	158	25	210	3.5
SJ200A	335	198	25	230	4.5
SJ200B					
SJ250A	335	248	25	230	5.5
SJ315				295	6.0
SJ315B	404	313	30	308	7.0
SJ355A					11.8
SJ355B	484	355	44	400	14.1

Jetflow SJ100 - SJ160



Jetflow SJ200 - SJ315



Jetflow SJ

Product Code	Max Speed r/min	Airflow m³/s @ Static Pressure Pa												Motor Electrical Data		Speed Control Electronic	dBA @ 3m	
		0	50	100	150	200	250	300	400	500	600	700	800	FLC Amps	Input Watts			
SJ100A	2000	0.056	0.051	0.045	0.040	0.033	0.024	0.009							0.26	68	EL21	34
SJ100B	2400	0.066	0.062	0.058	0.052	0.045	0.032	0.019							0.27	60	EL21	42
SJ125A	1700	0.072	0.063	0.054	0.044	0.034	0.022	0.008							0.27	62	EL21	36
SJ125B	2350	0.093	0.081	0.070	0.058	0.045	0.031	0.013							0.26	58	EL21	43
SJ150	2350	0.102	0.089	0.075	0.060	0.043	0.023								0.28	65	EL21	46
SJ160	2350	0.112	0.097	0.082	0.063	0.050	0.032								0.28	63	EL21	49
SJ200A	2400	0.170	0.150	0.116	0.090	0.072	0.055								0.32	73	EL21	51
SJ200B	2430	0.245	0.234	0.215	0.192	0.170	0.146	0.125	0.108	0.035					0.66	154	EL21	52
SJ250A	2450	0.284	0.264	0.240	0.216	0.195	0.176	0.155	0.136	0.110					0.82	180	EL21	53
SJ315	2420	0.350	0.332	0.265	0.210	0.166	0.138	0.120	0.095	0.018					0.86	192	EL21	52
SJ315B	2630	0.510	0.465	0.423	0.382	0.342	0.304	0.268	0.198	0.132	0.070				1.30	297	EL21	56
SJ355A	1330	0.609	0.585	0.554	0.508	0.429	0.316	0.192							1.12	248	EL21	57
SJ355B	2560	0.660	0.651	0.640	0.629	0.617	0.603	0.588	0.549	0.495	0.408	0.272	0.112		2.92	630	EL41	77

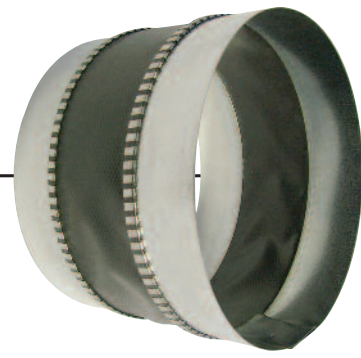
Sound levels are average spherical free field values fat 50% peak pressure or comparative purposes only.

silencer data

Model	dBA Attenuation			
	300L	600L	900L	1200L
SJ100A	-13	-19	-25	-27
SJ100B	-13	-19	-25	-27
SJ125A	-14	-20	-25	-28
SJ125B	-15	-21	-26	-29
SJ150	-12	-19	-22	-24
SJ160	-11	-17	-21	-23
SJ200A	11	-15	-19	-22
SJ200B	-12	-16	-21	-23
SJ250A	-13	-17	-20	-23
SJ315	-12	-16	-18	-20
SJ315B	-13	-17	-19	-21
SJ355A	-11	-14	-16	-18
SJ355B	-12	-15	-17	-19

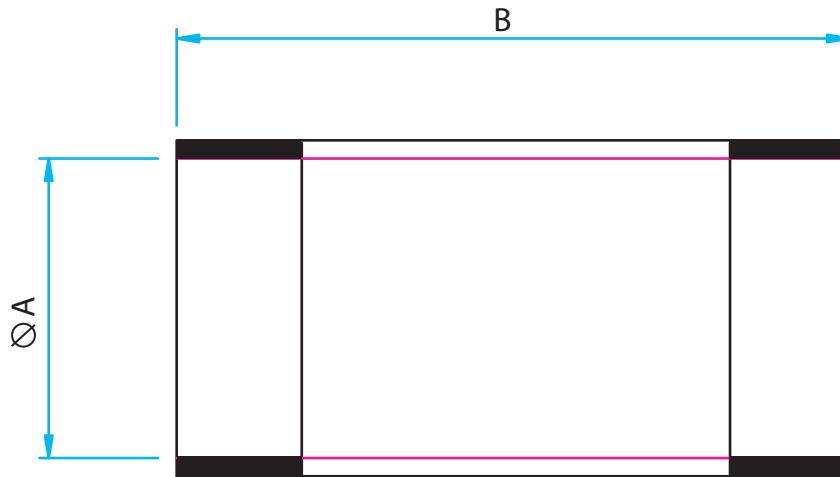
Jetflow SJ

Product Code	63Hz	125Hz	250Hz	500Hz	1kHz	2kHz	4kHz	8kHz	dBA @ 3m
SJ100A	57	49	57	50	50	47	43	38	34
SJ100B	60	55	65	58	58	55	49	45	42
SJ125A	53	51	55	54	53	49	42	36	36
SJ125B	58	57	61	60	60	56	50	45	43
SJ150	62	57	66	63	63	59	53	46	46
SJ160	63	60	70	65	66	61	55	59	49
SJ200A	64	67	72	67	67	64	59	57	51
SJ200B	65	70	71	70	68	65	63	59	52
SJ250A	63	63	67	69	69	65	65	64	53
SJ315	61	60	63	70	68	65	63	66	52
SJ315B	65	64	67	74	72	69	67	70	56
SJ355A	78	80	79	76	73	69	64	50	57
SJ355B	88	93	98	95	94	89	83	79	77



flexible connector

- Fix directly onto spigot
- Provides flexible connection between fan and accessory or duct
- PVC coated polyester with galvanised sheet steel

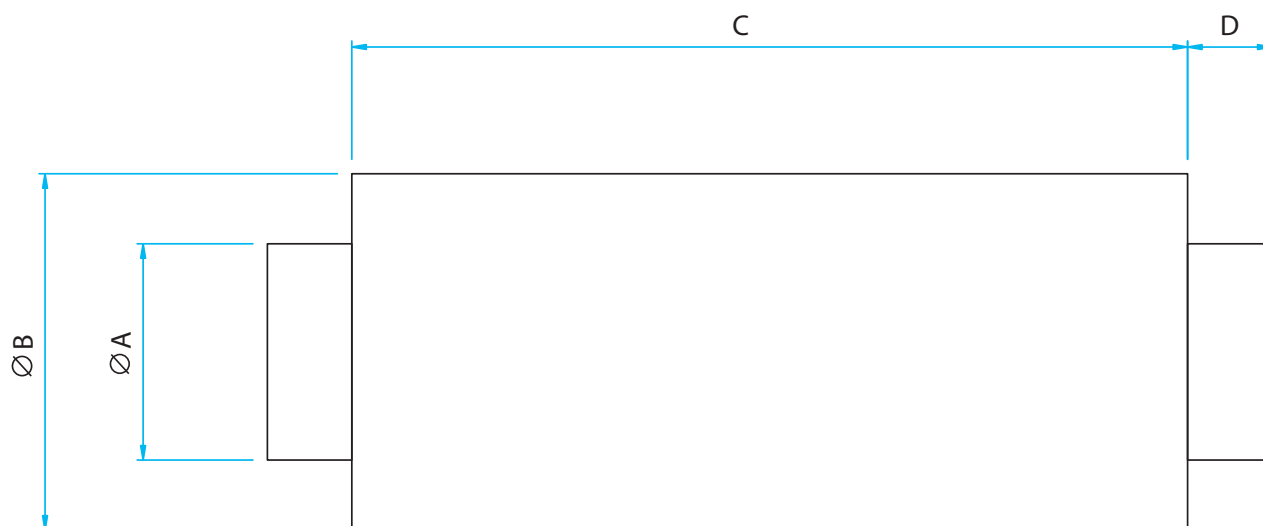


Product Code	Fan Dia A	B	Weight kg
018-0100-FLEX	100	150	0.2
018-0125-FLEX	125	150	0.2
018-0150-FLEX	150	150	0.2
018-0160-FLEX	160	150	0.2
018-0200-FLEX	200	150	0.3
018-0250-FLEX	250	150	0.4
018-0315-FLEX	315	150	0.5
018-0355-FLEX	355	150	0.5

silencers



- Pre-galvanised sheet steel with perforated steel lining
- Infill of glass tissue faced high density mineral wool
- For saturated or other special applications please refer to Elta



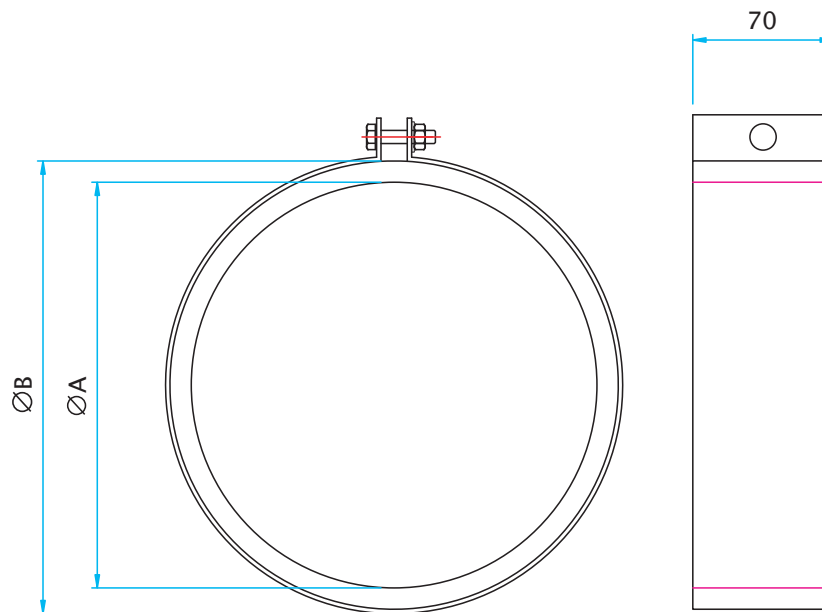
Product Code	Fan Dia	A	B	C1	C2	C3	C4	D	Weight kg			
									1	2	3	4
068-0100-JF*	100	98	204	300	600	900	1200	40	2.5	4.6	6.7	8.7
068-0125-JF*	125	123	230						2.9	5.4	7.8	10.2
068-0150-JF*	150	148	255						3.4	6.1	8.9	11.6
068-0160-JF*	160	158	265						3.5	6.4	9.3	12.2
068-0200-JF*	200	198	305						4.2	7.6	11.0	14.5
068-0250-JF*	250	248	355						5.0	9.1	13.2	17.3
068-0315-JF*	315	313	420						6.1	11.1	16.1	21.0
068-0355-JF*	355	353	460						6.8	12.3	17.8	23.3

* Add 1, 2, 3 or 4 depending on length required.

fast clamps



- For quick connection of spigotted fans to circular duct or accessories
- Galvanised steel circular duct clamp with foam lining

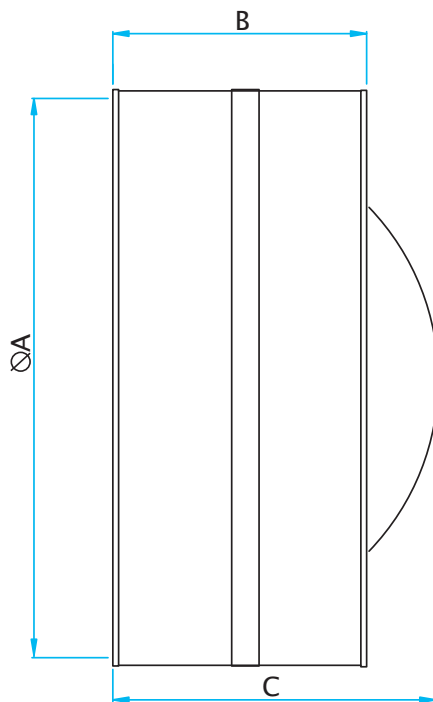


Product Code	Fan Size	A	B	Weight kg
018-100-CLAMP	100	92	116	0.25
018-125-CLAMP	125	117	141	0.29
018-150-CLAMP	150	142	166	0.33
018-160-CLAMP	160	152	176	0.35
018-200-CLAMP	200	192	216	0.42
018-250-CLAMP	250	242	266	0.49
018-315-CLAMP	315	307	331	0.59
018-355-CLAMP	355	347	371	0.73



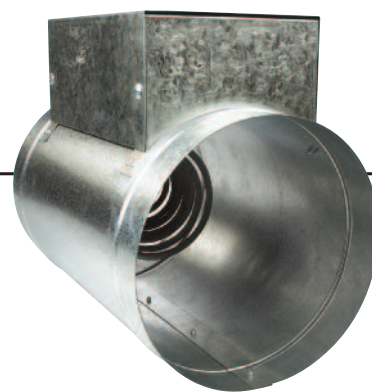
non-return dampers

- Prevents reverse flow of air when fan not operating
- Galvanised sheet steel case
- Spring operated, aluminium sheet blades

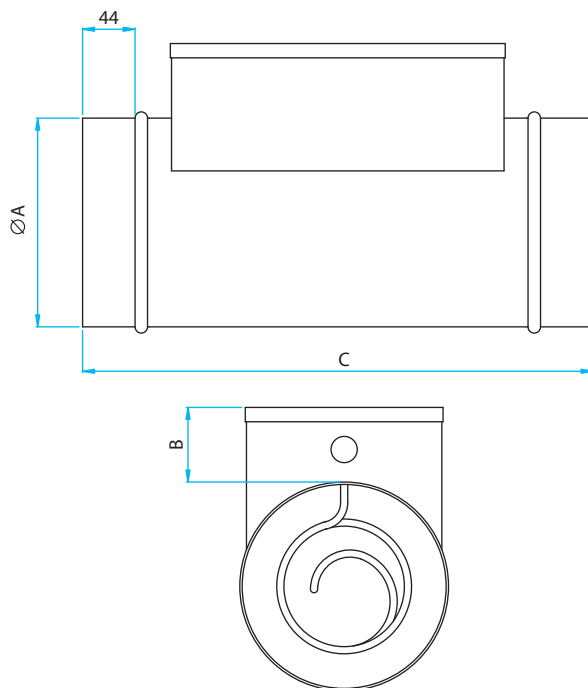


Product Code	Fan Dia A	B	C	Weight kg
018-100-DAMPER	100	90	100	0.2
018-125-DAMPER	125	90	100	0.3
018-150-DAMPER	150	90	110	0.3
018-160-DAMPER	160	90	110	0.3
018-200-DAMPER	200	125	150	0.6
018-250-DAMPER	250	125	190	0.6
018-315-DAMPER	315	125	210	1.3
018-355-DAMPER	355	195	280	1.3

electric heater battery

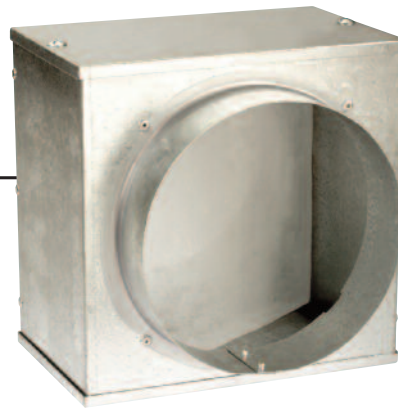


- Safe and clean heating
- Max exit temperature is 40°C at 70% RHdB
- Galvanised sheet steel case
- Elements are nickel chromium wire insulated by compacted magnesium oxide powder within a stainless steel or incoloy tube and sealed by ceramic bead and silicon sealant
- Air velocity min 2m/s, max 6m/s

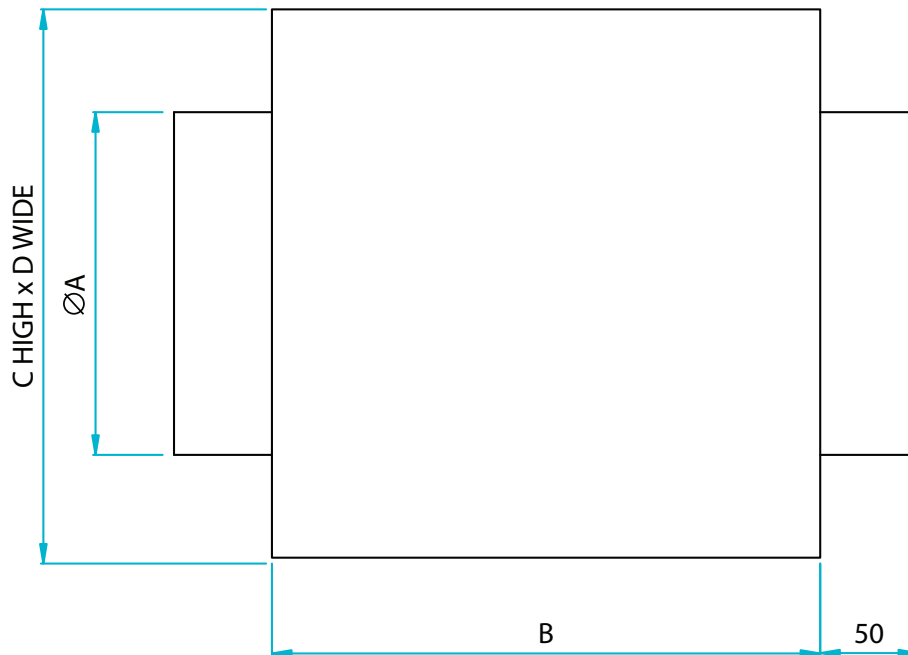


Product Code	kW	Stage	Phase	Airflow @ m³/s		A	B	C	Weight kg
				Min	Max				
018-0100-HEAT-1	0.75	1	1	0.016	0.047	100	55	400	2
018-0125-HEAT-1	1.0	1	1	0.025	0.074	125	80	400	2
018-0150-HEAT-1	1.5	1	1	0.035	0.106	150	80	400	3
018-0160-HEAT-1	1.5	1	1	0.04	0.12	160	80	400	3
018-0200-HEAT-1	2.0	1	1	0.063	0.189	200	80	400	4
018-0250-HEAT-1	3.0	1	1	0.098	0.295	250	80	400	4
018-0315-HEA-1/3	4.5	3/1	1/3	0.156	0.468	315	80	400	5
018-0355-HEAT-1	7.5	3/1	1/3	0.198	0.593	355	80	400	7

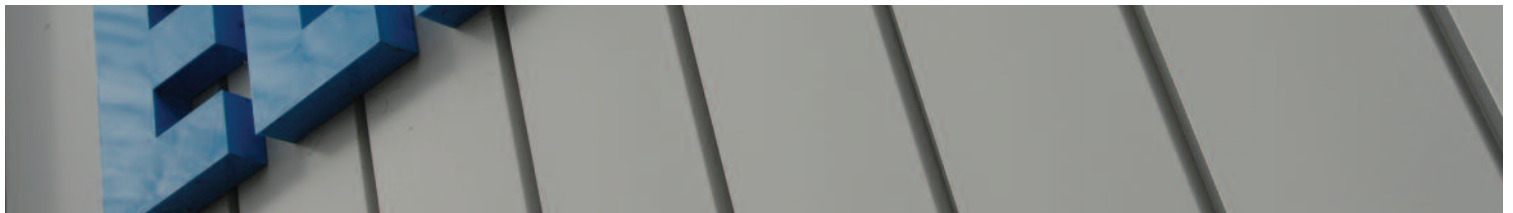
panel filters



- Galvanised steel casing
- Filter media to BS EN 779 rating G3 with 85% arrestance
- Filter access with removable panel



Product Code	Fan Dia A	B	C	D	Weight kg
018-0100-FILT-P	100	155	200	200	2
018-0125-FILT-P	125	155	200	200	2
018-0150-FILT-P	150	155	250	250	2
018-0160-FILT-P	160	155	250	250	2
018-0200-FILT-P	200	155	250	250	2
018-0250-FILT-P	250	200	300	300	3
018-0315-FILT-P	315	300	440	440	8
018-0355-FILT-P	355	400	440	440	8



Elta Fans Ltd - Applied Technology

17 Barnes Wallis Road,
Segensworth East Industrial Estate,
Fareham, Hampshire, P015 5ST, United Kingdom.

Visit: eltafans.com

e-mail: mailbox@eltafans.co.uk

Applied Technology:

Tel: +44 (0) 1489 566500

Fax: +44 (0) 1489 566555

Building Services:

Tel: +44 (0) 1384 275800

Fax: +44 (0) 1384 275810

Export:

Tel: +44 (0) 1489 566500

Fax: +44 (0) 1489 566555