

Hideaway^{SHM}



In-line **Centrifugal Fans**

features & benefits



Hideaway SHM

The Hideaway SHM is a duct mounted in-line centrifugal fan with dual circular inlet spigots, designed specifically for installations where space is at a premium and noise levels are an important design criteria.

The SHM is designed with a two speed motor where ventilation is either by continuously running, or boost ventilation when there is full occupancy.

- 1 standard size of 150mm.
- Air volume flow rates of up to 0.104 m³/s.
- Static pressures of up to 200 Pa.
- Motors are external rotor, protected to IP44 with Class B Insulation.
- Single inlet backward curved impellers.
- Low profile unit, overcomes space constraints.
- 100mm dual circular inlet spigots and 150mm outlet spigot.
- Low noise levels.
- Continuous and boost ventilation.
- Suitable for ambient operating temperatures of up to 50° C.
- Easy to install.
- Fully speed controllable.
- Robust galvanised sheet steel housing, acoustically lined.
- Suitable for ducted extract systems.

Features & Benefits

Low profile – Ideal for very shallow ceiling voids and / or where space is at a premium.

Low noise – Each unit is acoustically lined, therefore the breakout noise levels are low.

Material strength – A robust, yet lightweight unit with a galvanised sheet steel casing which is lined with flame retardant acoustic lining on the inlet for improved sound capabilities.

Ease of installation – All models are designed for direct connection to standard diameter flexible or rigid circular ducting with 50 mm long spigots for ease of connection.

Motor protection – All SHM units have integral thermal overload protection which prevents the motor from overheating.

Performance – The single inlet, single width backward curved centrifugal impellers are directly driven by an external rotor motor, designed to be non overloading and provide high performance characteristics.

Easy maintenance – Access to the fan and motor is by an easily removable panel for maintenance when required.

Mounting – Each unit is supplied with integral mounting brackets.

Full ancillary range – Speed controllers, fast clamps, silencers, flexible connectors and non-return dampers.

Tested to the very latest standards – SMF units are tested to ISO 5801:1997 (airside performance) and to BS 848 Pt 2:1985 (sound performance) at Elta Fans own test facility, meaning accurate, up to date information on performance and noise data that can be relied upon.

Quality assurance – All units are designed and manufactured with procedures as defined in BS EN ISO 9001: 2000.

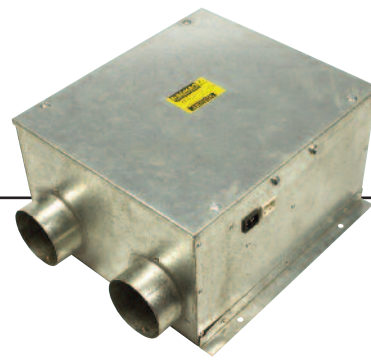
Reliability – Motors have sealed for life bearings.

Warranty – Each SHM has a one year warranty.

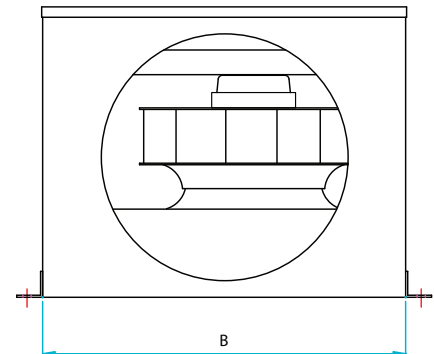
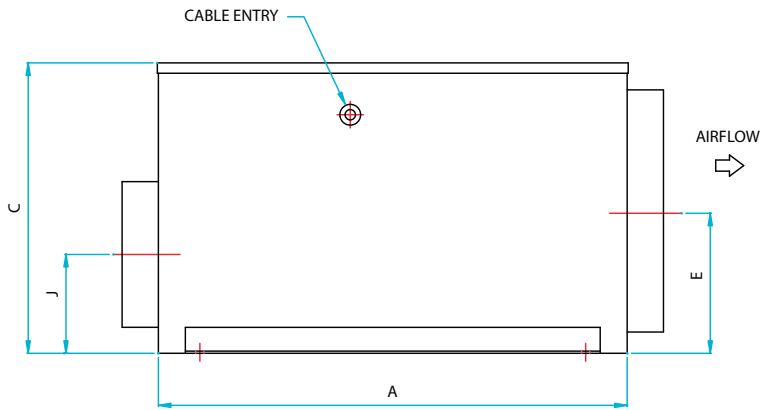
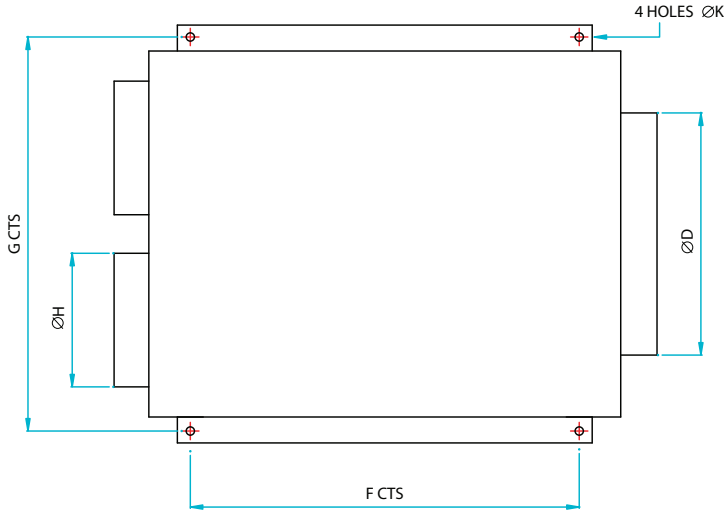
Applications

Bathroom and kitchen extract in apartments, hotels, residential properties, libraries and offices.

dimensional data

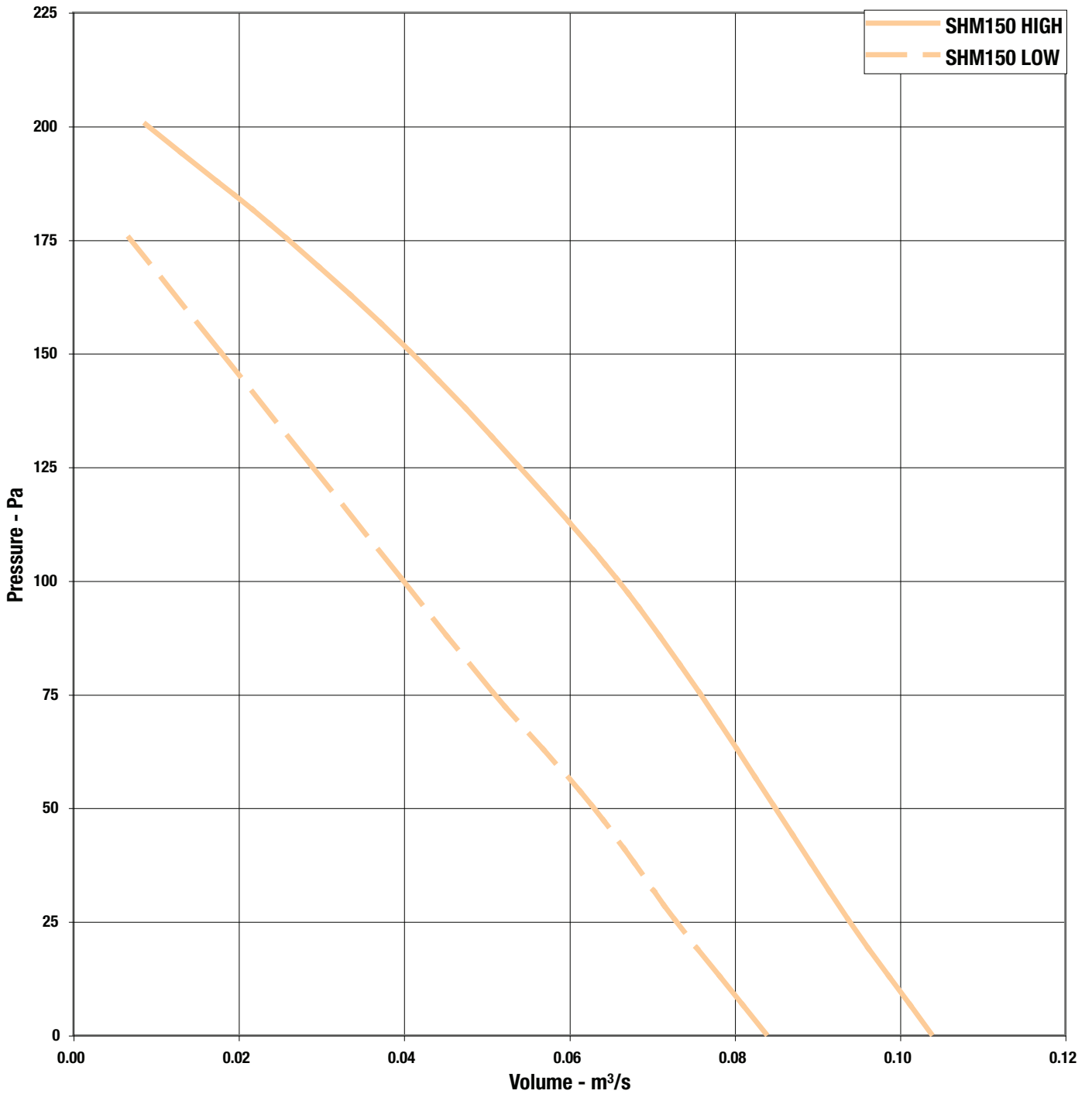


Hideaway SHM



Product Code	A	B	C	D	E	F	G	H	J	K	Weight kg
SHM150A-L	400	300	182	150	91	300	325	100	70	8	11

Hideaway SHM



Hideaway SHM

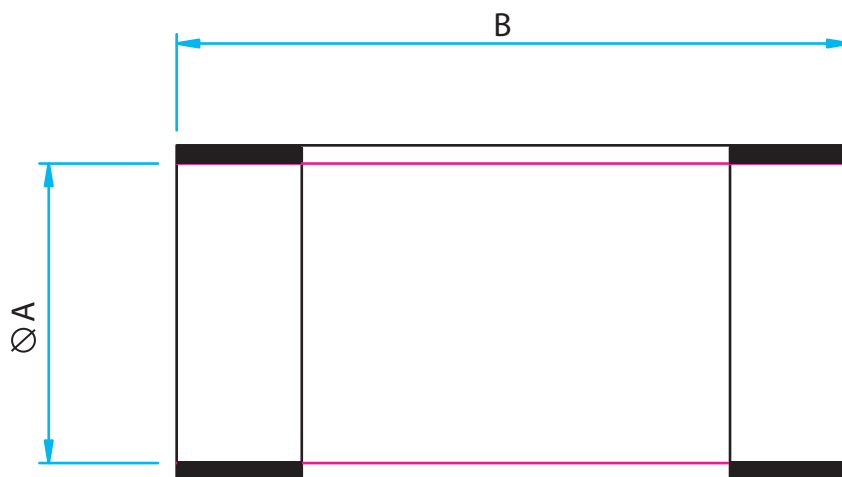
Product Code	Max Speed r/min	Airflow m ³ /s @ Static Pressure Pa									Motor Electrical Data			Speed Control Electronic	Breakout dBA @ 3m
		0	25	50	75	100	125	150	175	200	FLC Amps	SC Amps	Output Watts		
SHM150A-L Low	1950	0.084	0.073	0.063	0.051	0.040	0.029	0.018	0.007		0.23	0.57	37	37	31
SHM150A-L High	2500	0.104	0.094	0.085	0.076	0.066	0.054	0.041	0.026	0.009	0.29	0.72	62	41	35

Sound levels are average spherical free field values fat 50% peak pressure or comparative purposes only.

flexible connector



- Fix directly onto spigot
- Provides flexible connection between fan and accessory or duct
- PVC coated polyester with galvanised sheet steel

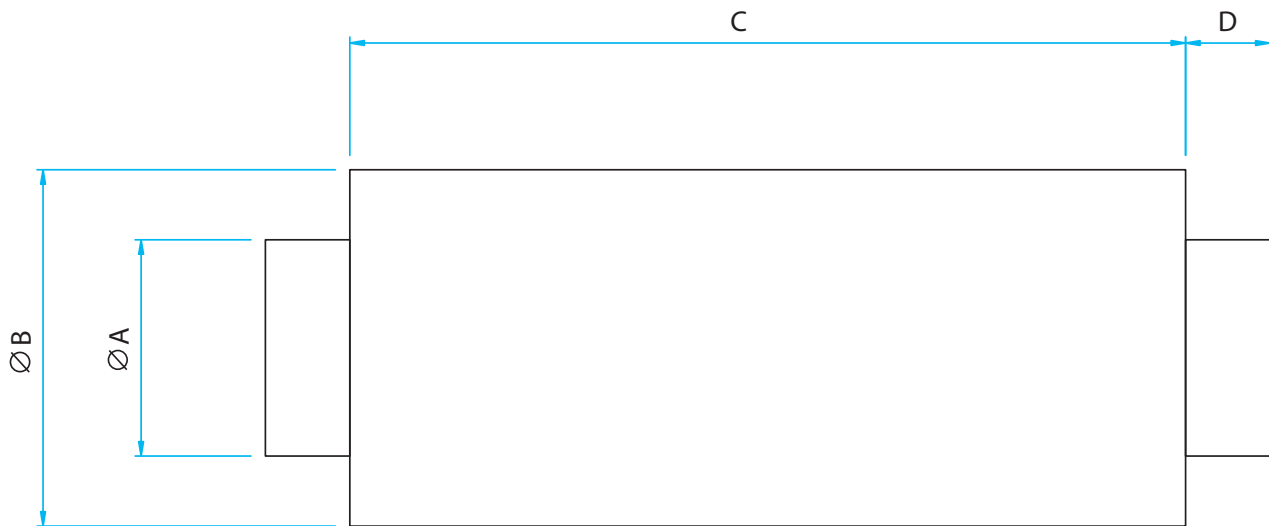


Product Code	Fan Dia A	B	Weight kg
018-0100-FLEX	100	150	0.2
018-0150-FLEX	150	150	0.2



silencers

- Pre-galvanised sheet steel with perforated steel lining
- Infill of glass tissue faced high density mineral wool
- For saturated or other special applications please refer to Elta



Product Code	Fan Dia	A	B	C1	C2	C3	C4	D	Weight kg			
									1	2	3	4
068-0100-JF*	100	98	204	300	600	900	1200	40	2.5	4.6	6.7	8.7
068-0150-JF*	150	148	255						3.4	6.1	8.9	11.6

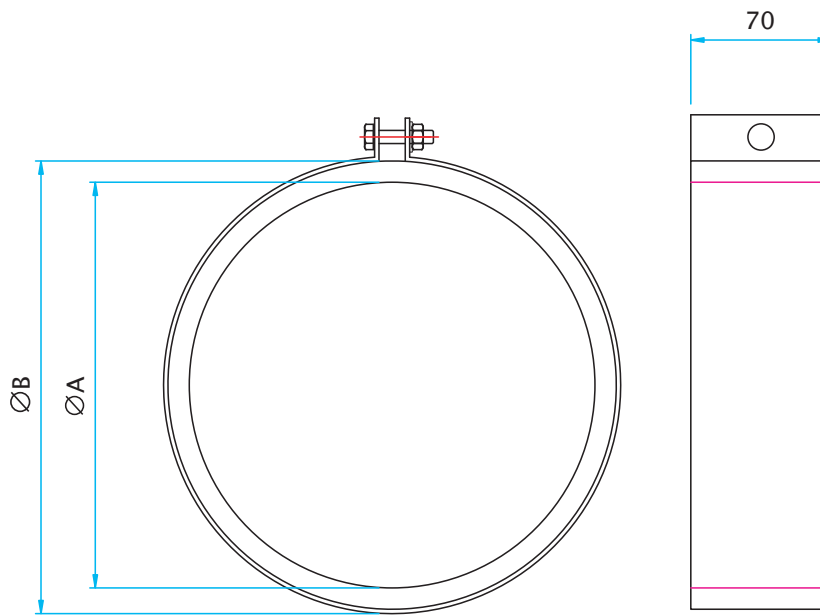
* Add 1, 2, 3 or 4 depending on length required.

accessories

fast clamps



- For quick connection of spigotted fans to circular duct or accessories
- Galvanised steel circular duct clamp with foam lining

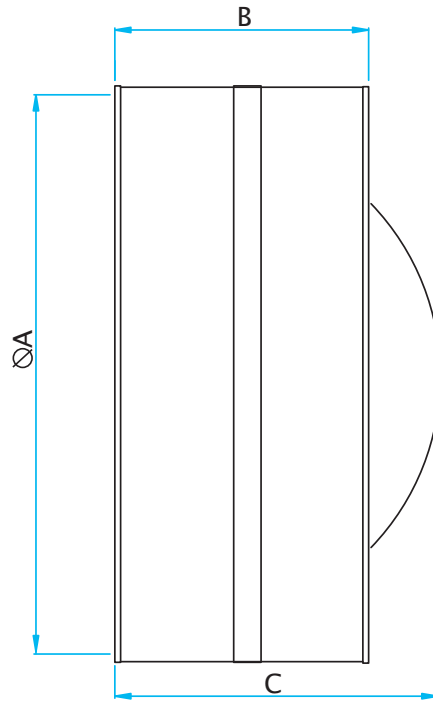


Product Code	Fan Size	A	B	Weight kg
018-100-CLAMP	100	92	116	0.25
018-150-CLAMP	150	142	166	0.33

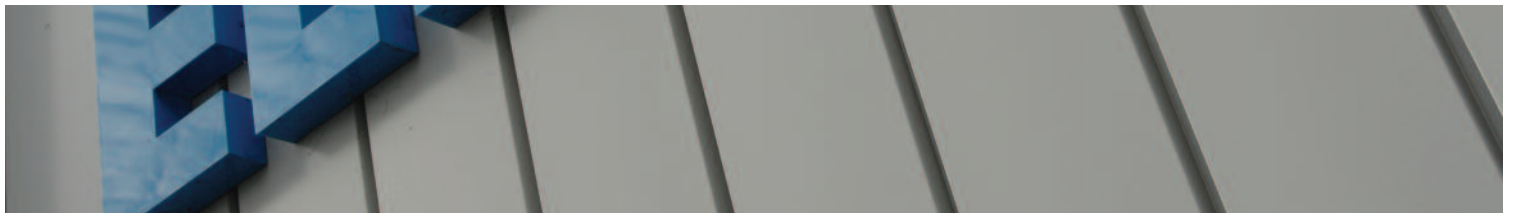


non-return dampers

- Prevents reverse flow of air when fan not operating
- Galvanised sheet steel case
- Spring operated, aluminium sheet blades



Product Code	Fan Dia A	B	C	Weight kg
018-100-DAMPER	100	90	100	0.2
018-150-DAMPER	150	90	110	0.3



Elta Fans Ltd - Applied Technology

17 Barnes Wallis Road,
Segensworth East Industrial Estate,
Fareham, Hampshire, P015 5ST, United Kingdom.

Visit: eltafans.com

e-mail: mailbox@eltafans.co.uk

Applied Technology:

Tel: +44 (0) 1489 566500

Fax: +44 (0) 1489 566555

Building Services:

Tel: +44 (0) 1384 275800

Fax: +44 (0) 1384 275810

Export:

Tel: +44 (0) 1489 566500

Fax: +44 (0) 1489 566555